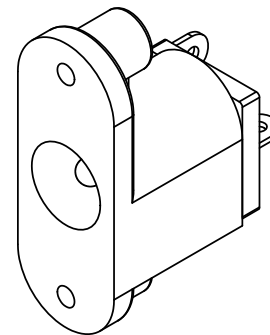
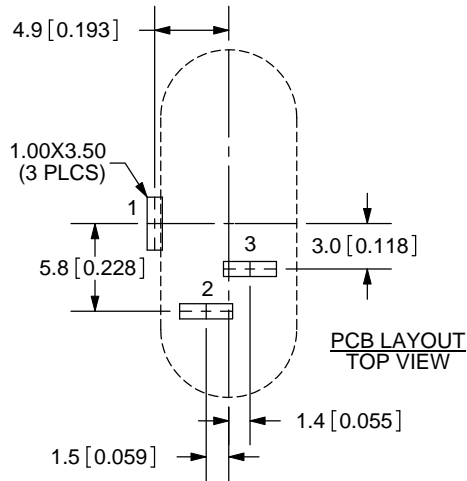
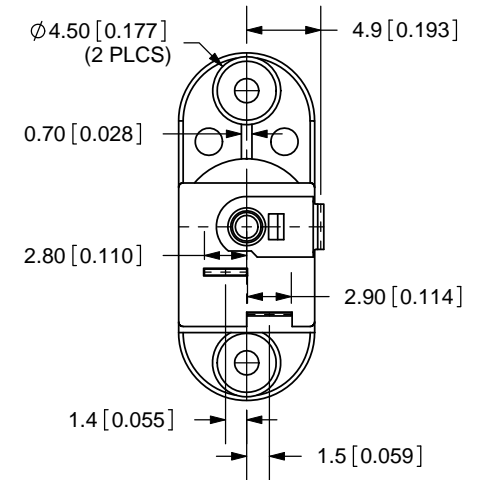
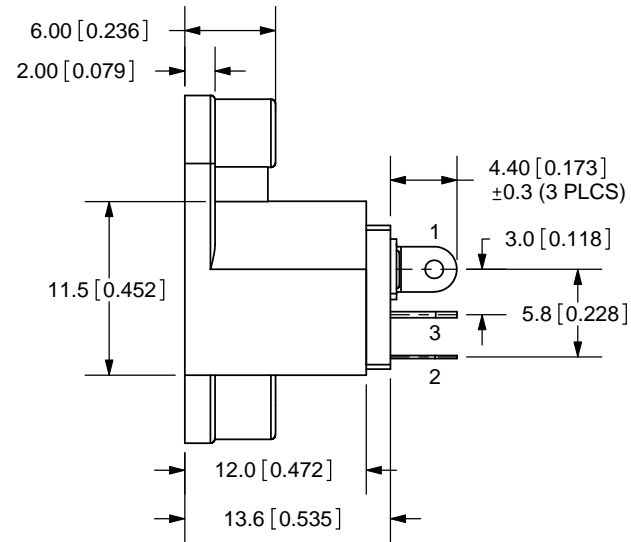
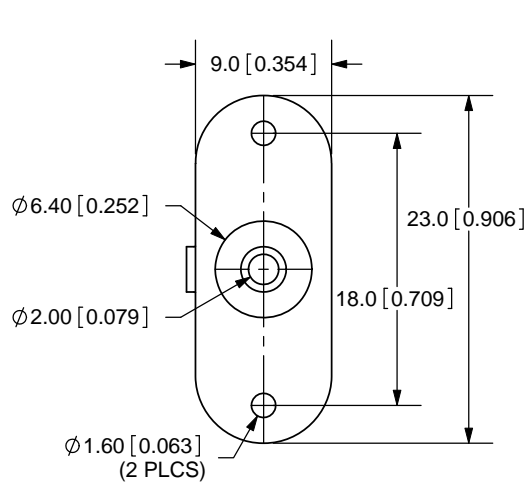


| REV. | DESCRIPTION | DATE      |
|------|-------------|-----------|
| A    | NEW DRAWING | 7/30/2007 |



TOLERANCE:  
X.X±0.2mm  
X.XX±0.1mm  
X.XXX±0.05mm



**SPECIFICATIONS:**  
RATING: 16V DC @ 5A  
CONTACT RESISTANCE: 50m OHMS MAX  
INSULATION RESISTANCE: 100M OHMS MIN: 500V DC  
VOLTAGE WITHSTAND: 500V AC R.M.S. FOR 1 MINUTE  
LIFE: 5,000 CYCLES

|           |          |
|-----------|----------|
| MODEL NO. | PJ-039AH |
| SCHEMATIC |          |

CENTER PIN DIAMETER 2.0mm Dia.

|            | MATERIAL     | PLATING |
|------------|--------------|---------|
| CENTER PIN | Copper       | Nickel  |
| TERMINAL 1 | Brass        | Silver  |
| TERMINAL 2 | Copper Alloy | Silver  |
| TERMINAL 3 | Brass        | Silver  |
| BODY       | PBT          |         |

20050 SW 112th Ave.  
Tualatin, OR 97062  
Phone: 503-612-2300  
800-275-4899  
Fax: 503-612-2383  
Website: www.cui.com

|                      |              |                    |
|----------------------|--------------|--------------------|
| TITLE: DC POWER JACK |              | REV: A             |
| PART NO. PJ-039AH    |              | UNITS: MM [INCHES] |
| DRAWN BY: ZRJ        | APPROVED BY: | SCALE: 2:1         |

PC FILE NAME:  
PJ-039AH

COPYRIGHT 2007 BY CUI INC.